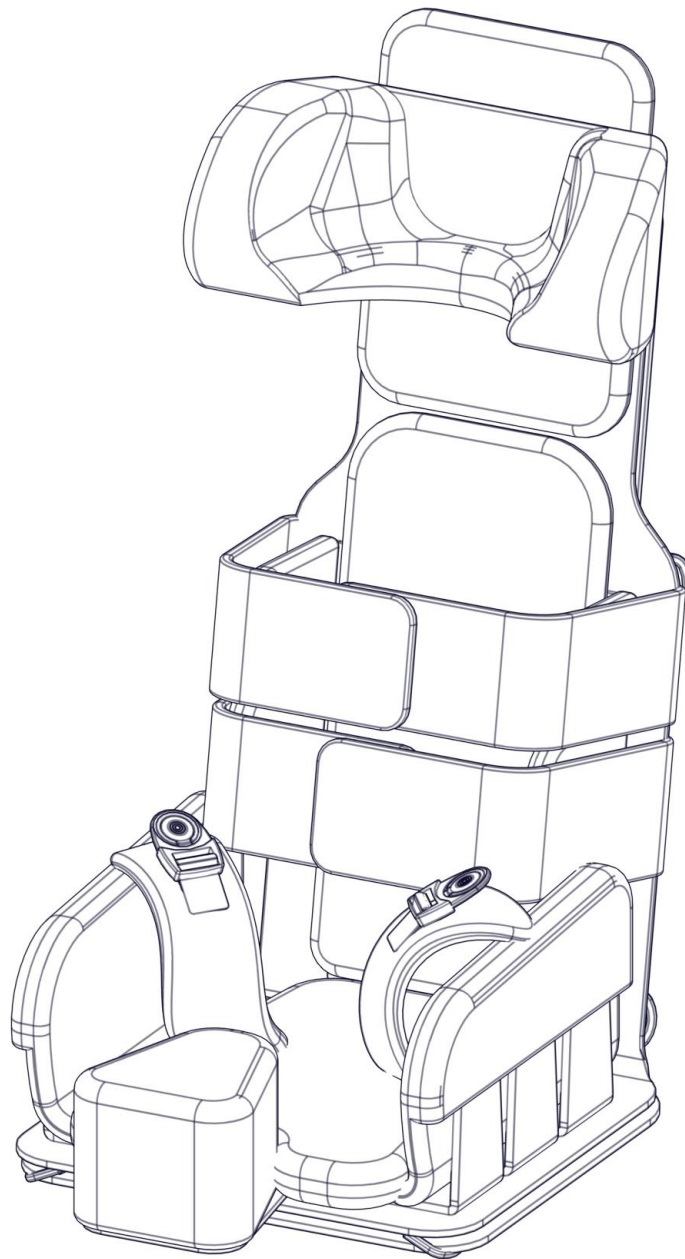




INSTRUCTIONS FOR USE

TravelSit



edition 1 - 23.03.2019



NOTE! THE MANUFACTURER IS SOLELY RESPONSIBLE FOR THE EQUIPMENT PURCHASED DIRECTLY FROM THE LOCAL REPRESENTATIVE OF LIW CARE TECHNOLOGY OR IN A SPECIALISED MEDICAL SHOP REPRESENTING LIW CARE TECHNOLOGY IN POLAND.



NOTE! IF POSSIBLE, THE PACKAGING OF THE PRODUCT SHOULD BE RETAINED IN CASE WHEN IT WOULD PROVE NECESSARY TO SHIP THE PRODUCT WITHIN THE SCOPE OF WARRANTY REPAIR.



NOTE! DO NOT LEAVE A CHILD ON THE SEAT UNSUPERVISED.



NOTE! IT IS NECESSARY TO CAREFULLY READ THE USER MANUAL BEFORE START-UP.

Contents

Contents	3
1 Introduction	4
1.1 Warnings & Safety Information	4
2 Symbol meaning	4
3 Compliance with the safety requirements for medical devices	5
4 Indications for product use	5
5 Technical data	6
6 Overall structure	7
7 Detailed description concerning the regulation and the adjustment	7
7.1 Preparing for using the device	8
7.2 Adjusting the width of the seat	8
7.3 Adjusting the position of side support	9
7.4 Adjusting the position of the abduction wedge	10
7.5 Adjusting the chest belts and fixing straps	10
7.6 Adjusting the position of the head rest	10
8 Accessories	11
8.1 Lounger frame	11
8.1.1 Construction of the lounger	11
8.1.2 Preparing the lounger	12
8.1.3 Folding the lounger	12
8.1.4 Adjusting the seat back angle	12
9 Cleaning and maintenance	13
9.1 Recommendations concerning the cleaning and maintenance	13
9.2 Disinfection	13
10 Nameplate	13
11 Warranty / Service	14

1 Introduction

Thank you for purchasing the **TravelSit** offered by LIW Care Technology Sp. z o.o., an orthopaedic seat for children stabilising the back and the head. **TravelSit** is an innovative device comprising the features of an orthopaedic chair, which can be easily adjusted to meet the anatomical conditions of the user. Mobility stands as its most unique feature. This is a fully legitimate orthopaedic seat with a system of stabilising supports, abducting and stabilising straps, which can be folded into the size of a backpack. This particular feature allows to take it with you whenever you need a comfortable seat for your child. The system of stabilising straps enables you to change a standard chair or armchair into a safe orthopaedic seat.

We are fully aware of the fact that travelling not only means pleasure, but also the necessity to select all the essential items you need to take with you on the trip. All means of transportation are characterised by a limited luggage space. We have created the TravelSit so that you no longer have to face the dilemma of choosing between the safety and the comfort of your child. The TravelSit will always be there when you need it, enabling your child to enjoy the comfort.

1.1 Warnings & Safety Information

For LIW Care Technology Sp. z o. o., the most important thing is to protect the patients who use our equipment. In order to provide complete safety of people using the device it is essential to strictly follow the recommendations stated below:

1. Before undertaking any attempts related with using the device, please read the user manual thoroughly and in case of any doubts, do not hesitate to contact the seller or the manufacturer.
2. Please make sure that all the information, tips and warnings included in these chapter are fully comprehensible.

User manual attached to devices manufactured by LIW Care Technology Sp. z o.o. holds a paragraph marked with a word NOTE, which aims to emphasise the content of the given paragraph. The significance of the symbol, of which mention has been made above is as follows:

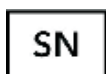


NOTE! THIS PARTICULAR SYMBOL IS USED TO STRONGLY EMPHASISE THE FOCUS OF THE READER ON THE WORDING MARKED WITH THIS SYMBOL. FAILURE TO COMPLY WITH THE INSTRUCTIONS MAY ENDANGER THE HEALTH AND SAFETY OF THE USER OR IT MAY DAMAGE THE PRODUCT.

2 Symbol meaning



Manufacturer's name and date of manufacture



Serial number



User's permissible weight



Avoid contact with water



Follow the user manual



The arrow indicates the discussed element



Arrows indicating the movement direction



Conformity marking according to the Council Directive 93/42/EEC concerning medical devices, annex VII

3 Compliance with the safety requirements for medical devices

The **TravelSit** orthopaedic seat for children, stabilising the back and the head, meets the essential requirements of the MDD Directive 93/42/EEC for medical devices.

According to annex IX of the MDD Directive 93/42/EEC the **TravelSit** orthopaedic seat for children, stabilising the back and the head, is classified as a non-invasive, non-active medical device class I according to rule 1.

Conformity declaration of the device can be obtained in the Commercial Department of the manufacturer.



NOTE! In case of introducing any modifications to the device, using non-original spare parts or utilizing with products provided by another manufacturer, the CE marking has to be removed.

4 Indications for product use

The **TravelSit** orthopaedic seat for children stabilising the back and the head is designed for people, who are between 85 and 110 cm tall and whose weight does not exceed 60 kg. The **TravelSit** can be used for people with abnormal posture and muscular dysfunction. It stands as a perfect solution for children with cerebral palsy, muscular dystrophy, various types of paralyses, tetra- and paraplegias, as well as for children with body posture abnormalities. The device allows to adapt a normal chair or an armchair and change it into a fully legitimate orthopaedic seat. Due to its special features you may take this seat whenever you go on a journey or visit your friends. The system of stabilising supports, abducting and stabilising straps can be used as a therapeutic and prophylactic agent, as well as to prevent the occurrence and development of already existing posture defects, and the improper functioning of the organism associated with the above. The main objective of the device is to provide passive correction of the abnormal posture the child in sitting position. The **TravelSit** stands as the perfect substitution of a traditional orthopaedic chair, one that you can always take with you wherever you go and whenever you need it.



NOTE! The **TravelSit** fixing system enables to install this seat on a car seat, however, this particular seat is not a car seat anticipated for carrying children in cars. This seat can only be used during standstill. The manufacturer shall not be held responsible for using this seat as a car seat.

5 Technical data

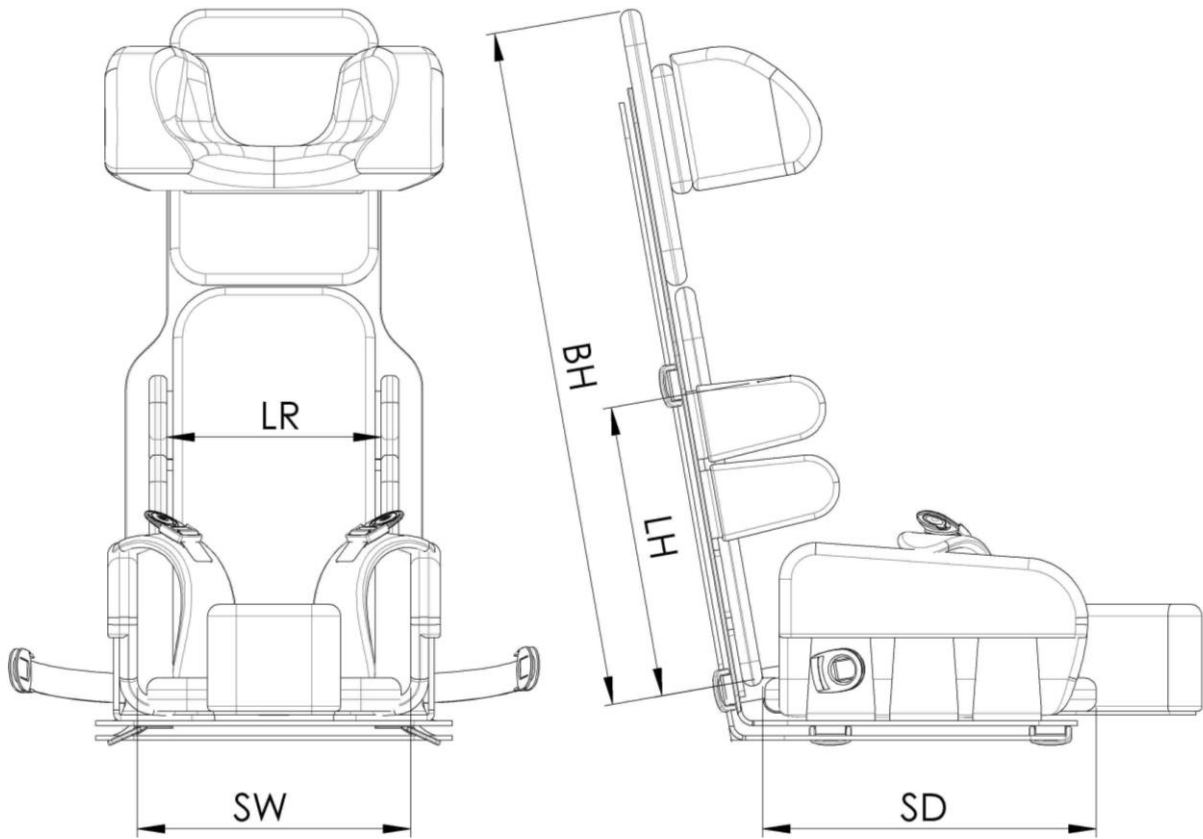


Fig. 1

No.	Name of the dimension	Symbol	Value [cm]	
			S	M
1	Height of the backrest	BH	52	62
2	Width of the seat	SW	17 – 24	22 – 35
3	Depth of the seat	SD	26	31
4	Width of the side support	LR	16 – 22	23 – 30
5	Height of the side support	LH	8 - 26	13 - 35

6 Overall structure.

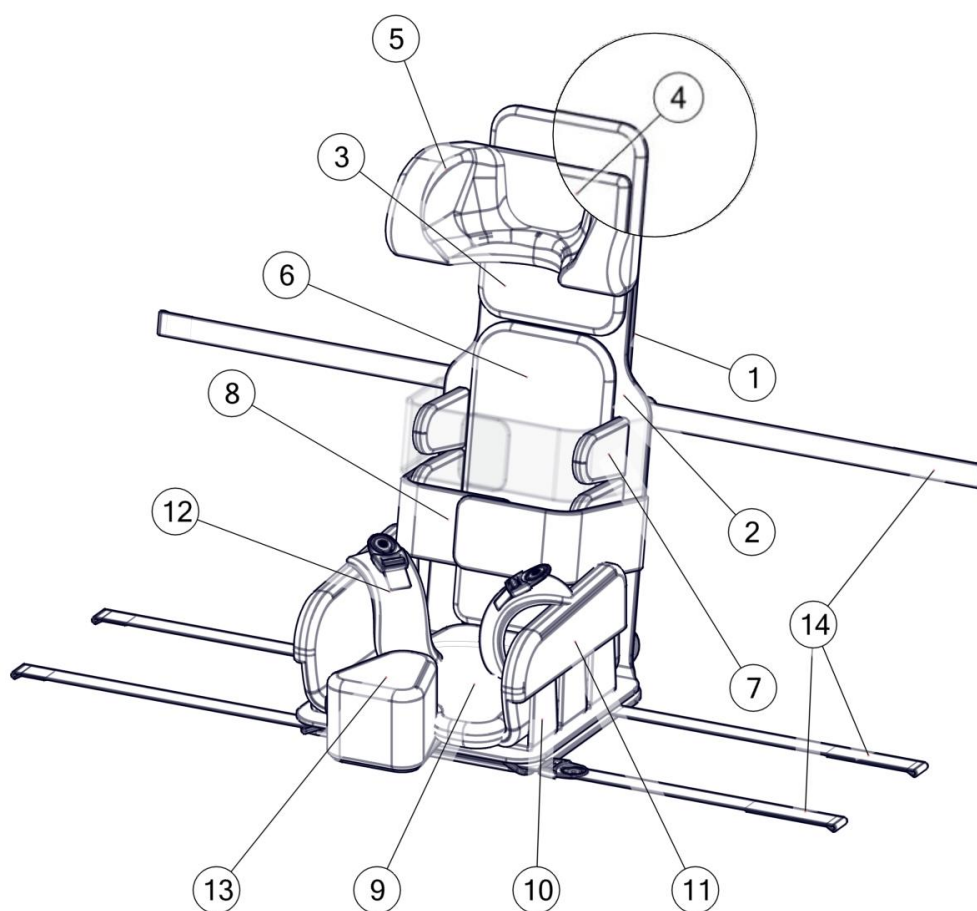


Fig. 2

1. Mat with a seat support
2. Base mat
3. Headrest distance
4. Additional headrest distance
5. Headrest
6. Backrest cushion
7. A set of side supports
8. Chest harness belt
9. Seat cushion
10. A set of thigh support
11. Side cushion of the seat
12. A set of abduction straps
13. Wedge system
14. Fixing straps

7 Detailed description concerning the regulation and the adjustment

TravelSit is comprised of a system of belts, supports, cushions, brackets, etc. connected with various velcro-types tightening sets. This allows to apply multiple configurations to the device and adjust the device to the anatomical structure of the user by altering the position of the system's elements on various heights and widths of the base mat. The system allows an arbitrary positioning of these elements, along with adding or deducting them. What is more, it also allows to position the fixing straps in such a way that they match various chairs, armchairs, trolleys or bases dedicated for this particular system. The manual presented below provides sample examples for adjusting and setting up the device.

7.1 Preparing for using the device

In order to prepare the device, follow the sequence of activities shown on the pictures below.

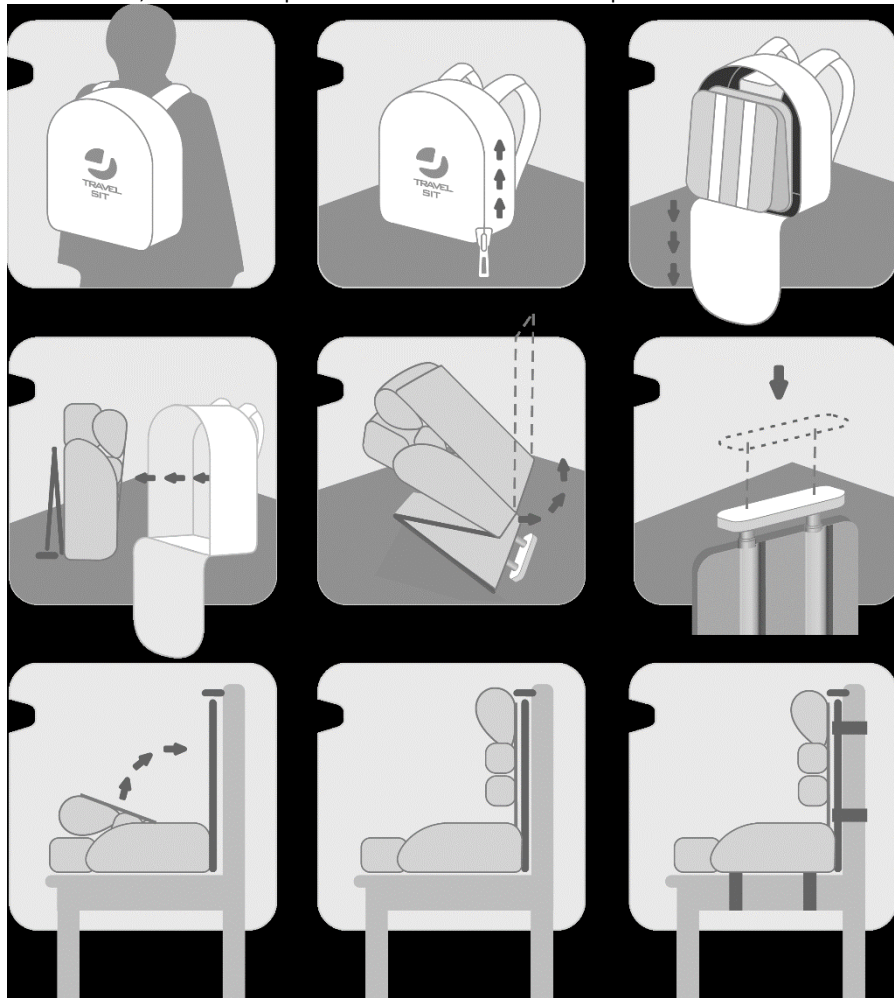


Fig. 3

Whenever you want to prepare the device for transportation, perform all these activities in the reverse order.



NOTE! Before using the device it is crucial to fasten the fixing belts to the adapted armchair or chair. After fastening these belts, it is essential to verify the stability of the seat on the adapted object, as well as the stability of the whole construction.

7.2 Adjusting the width of the seat

In order to adjust the width, detach the cushions of the seat (9), abduction wedge (13) and thigh support (10) from the base mat (2). Place thigh supports (10) to reach the desired width. Thigh supports (10) have velcro pads at the bottom. Then reposition the abduction wedge (13) and the seat cushions (9).

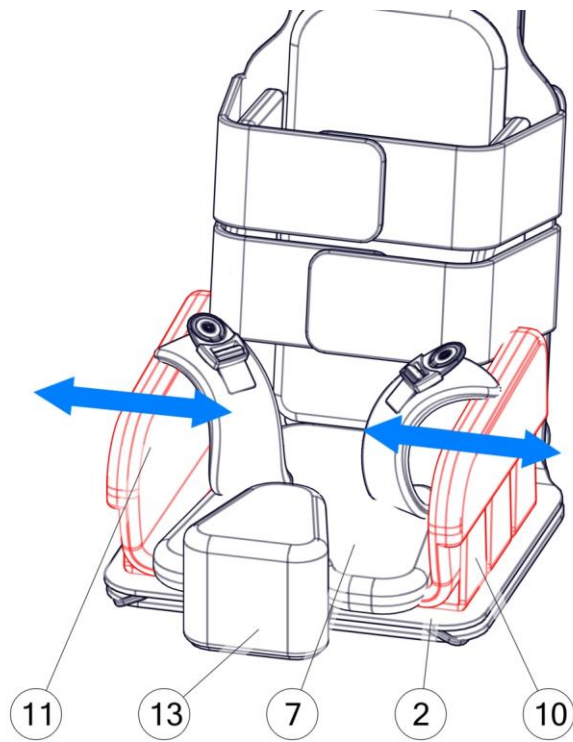


Fig. 4

7.3 Adjusting the position of side support

In order to adjust the position of the side support detach the cushions (6) of the backrest along with side supports (7). Move side supports (7) to the desired location and push them firmly to the base mat (2). Side supports (7) have velcro pads in their lower parts.

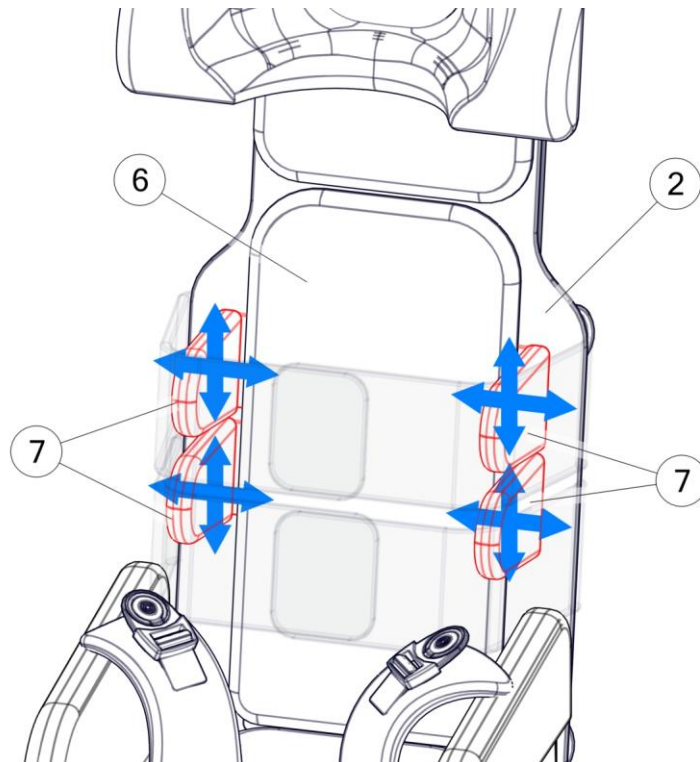


Fig. 5

7.4 Adjusting the position of the abduction wedge

In order to shift the abduction wedge, detach the seat cushions (9) and then shift the wedge (13) inwards into the seat or move it outwards and then press to the base mat (2) after reaching the desired position.

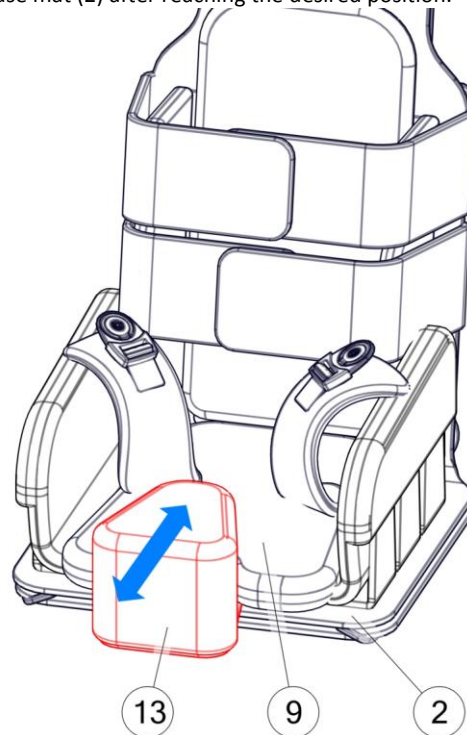


Fig. 6

7.5 Adjusting the chest belts and fixing straps.

In order to shift the chest harness straps (8) detach the base mat (2) along with the mat with a seat support (1). Detach the chest harness straps (8) and move the mat to a desired position. Reattach the base mat (2) and the mat with a seat support (1). Do the same with the fixing straps (14).

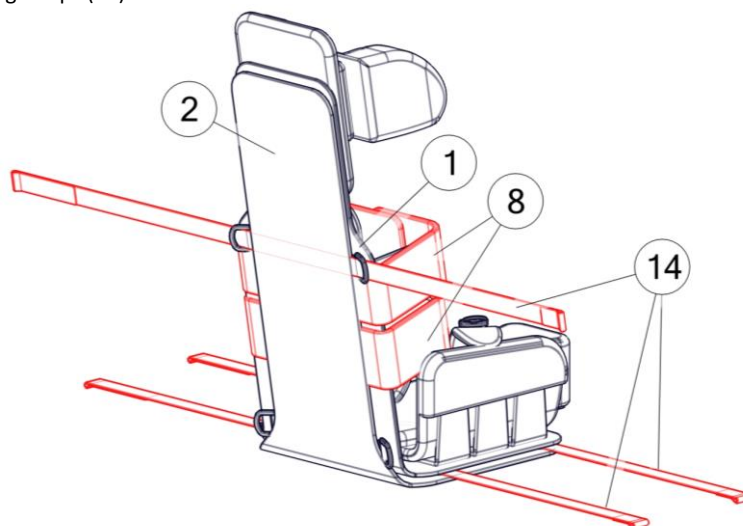


Fig. 7

7.6 Adjusting the position of the head rest

In order to change the position of the headrest (5), detach the headrest from the seat (3), move it upwards or downwards, and then attach the headrest in the desired position with a velcro tape. You can also change the position of the headrest moving it forward or backward by adding or deducting additional headrest cushions (4).

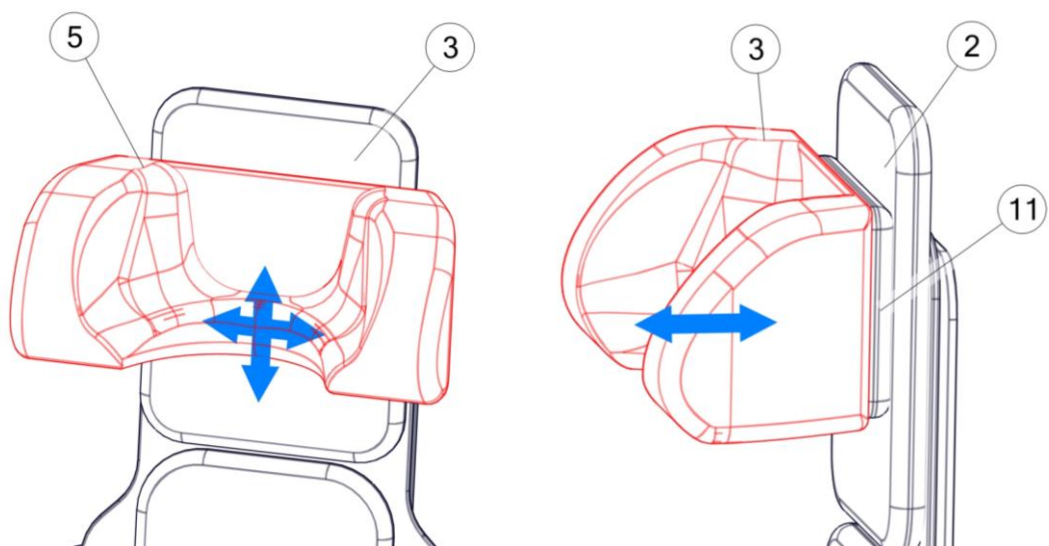


Fig. 8

8 Accessories

8.1 Lounger frame

The frame of the lounger is dedicated for the TravelSit system and constitutes the base of the seat. The frame of the lounger enables to place the TravelSit on the floor and this allows the user to play with other peers or perform any other activities from the floor level.

8.1.1 Construction of the lounger

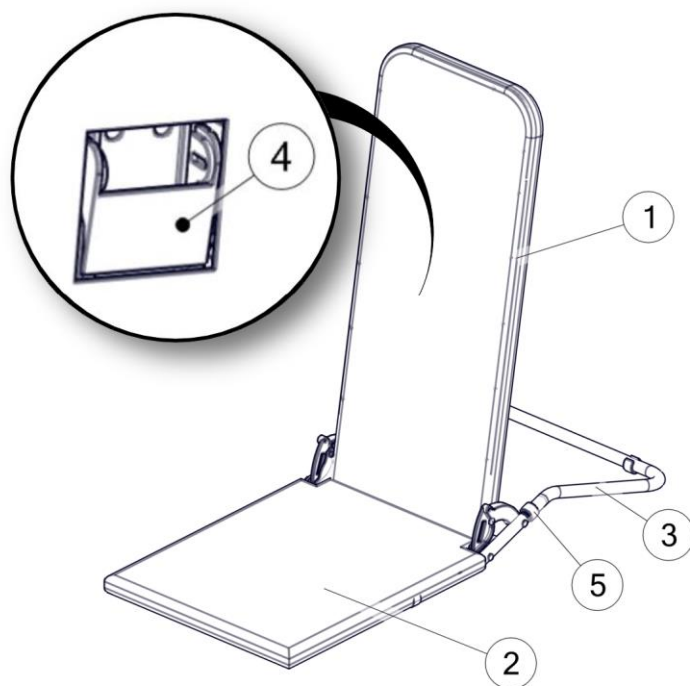


Fig. 9

1. Backrest
2. Seat
3. Bracket
4. Backrest angle regulation retarder
5. Tab

8.1.2 Preparing the lounger

In order to prepare the lounger for use, it is essential to insert the bracket (3) into the frame of the seat (2) and secure it with tabs (5). Then we pull the retarder (4) and lift the backrest (1) until it reaches a vertical position. Then detach the TravelSit seat from the support mat, and connect the TravelSit with the lounger by means of sewn-in velcro pads.

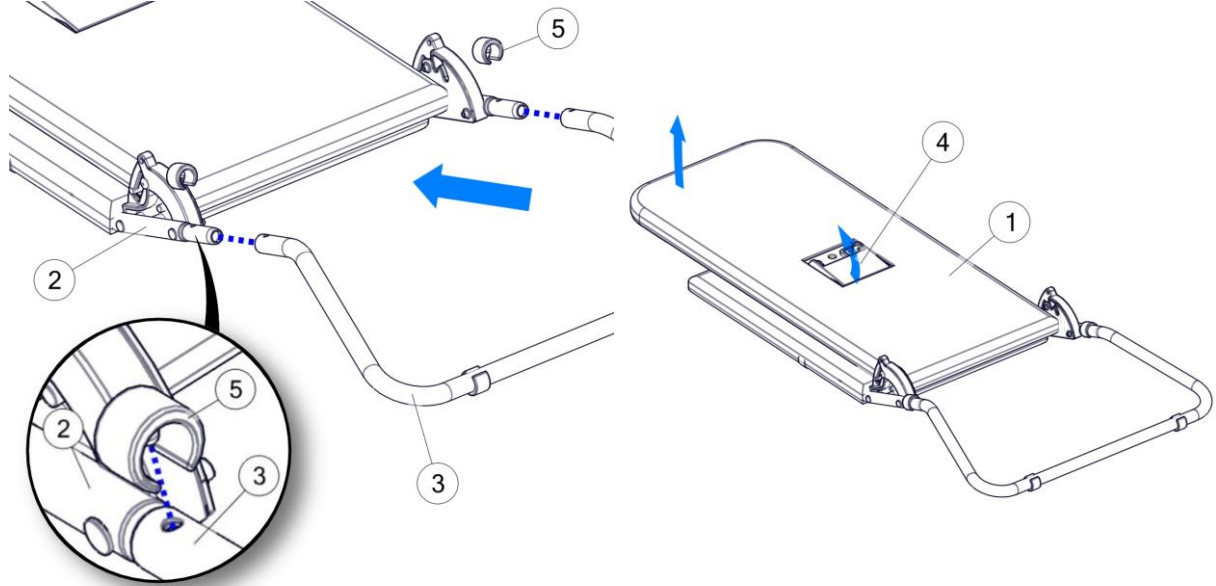
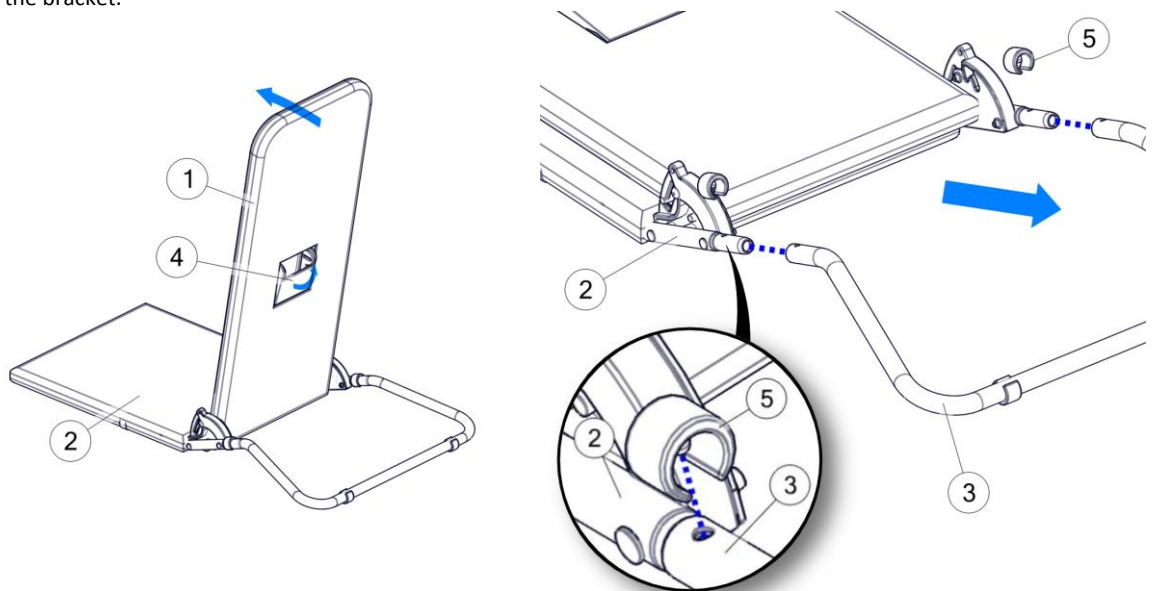


Fig. 10

8.1.3 Folding the lounger

We pull the backrest angle regulation retarder (4), we fold the backrest towards the seat (2). Then we insert tabs (5) and we disassemble the bracket.



8.1.4 Adjusting the seat back angle

In order to regulate the backrest angle, pull the retarder (4), adjust the backrest angle (1). When the lever (4) is released the backrest shall be blocked.



NOTE! Before using the lounger, please verify the stability of the lounger.

9 Cleaning and maintenance

9.1 Recommendations concerning the cleaning and maintenance

Offered upholstery is made of a breathable fabric. Our products have been certified with the Oko-Tex Standard 100 confirming the complete user safety, also when used by children. Fabrics used for our upholstery are free from any hazardous substances, such as pesticides, chlorophenols, formaldehyde, allergising dyes, prohibited azo dyes and extractable heavy metals. The Oko-Tex Standard 100 is only granted to textiles, where all components have been tested and obtained positive results at each and every stage of the production process.

The upholstery coming into contact with the user has been covered with a special hydrophobic agent preventing the fluid penetration into the upholstery. The impregnate also facilitates maintaining the cleanliness of the upholstery. Slight dirt can be removed with a damp cloth. In case of more significant contaminations, you can simply wash the upholstery.

- It is crucial to remove the foam inserts from covers before washing.
- Covers should be hand washed or washed in a washing machine (with a drum) at 40°C temperature.
- Use washing agents with the PZH /National institute of Hygiene/ certificate anticipated for delicate products in the amount stated on the package.
- Use a curd soap or special chemical agents in case of children prone to allergies.
- Dewatering - do not squeeze, it is possible to do a short spin dry programme.
- Drying - hang to dry at room temperature.



NOTE! When washing upholstery covers, pay special attention to velcro pads. In order to avoid upholstery damage, pay particular attention to detach the velcro during the washing process, and make sure that the velcro does not touch the surface of the upholstery. Do not wash the foam inserts!

The foam and rubber insert should be:

- vacuum mechanically or with a soft brush,
- it is possible to clean the insert with a damp cloth with a gentle washing agent. Then leave the insert to dry thoroughly at room temperature.

9.2 Disinfection

In case when the device is used by various users (e.g. in a rehabilitation centre), it is essential to use disinfecting agents. As far as manual disinfection of the device is concerned, it is recommended to use Incidin plus in 0.25% to 0.5% solution, or any similar disinfecting agent.

Please follow any usage instructions stated by the manufacturer.



NOTE! It is crucial to cleanse the upholstery and handles before performing the disinfection.

10 Nameplate

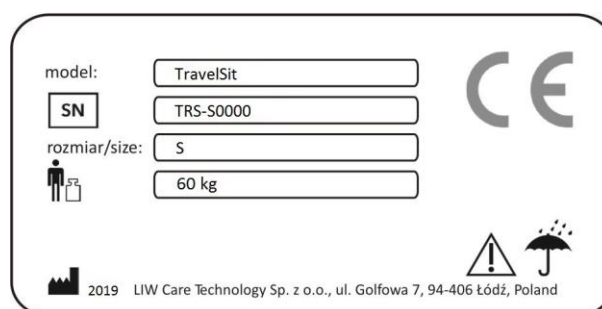


Fig. 11

11 Warranty / Service

In case when any defects or damages should occur, cease to use the device immediately and contact the seller or the manufacturer. Secure the damaged device in order to prevent further extension of the damage. Do not undertake any attempts to individually repair the device. do not replace any original parts with spare parts developed individually or obtained from any source other than the one recommended by the manufacturer.

- When the user abandons the future use of the device, then he is obliged to utilise the device according to the applicable environmental regulations.
- The manufacturer determines the product life to be 5 years.
- The post -warranty service of the device is performed by the manufacturer.

Contact details of the service department:
LIW Care Technology Sp. z o.o., ul. Golfowa 7, 94-406 Łódź.
www.liwcare.pl
e-mail: reklamacje@liwcare.pl

- Current address details can be obtained on the following website: www.liwcare.pl.
- Warranty conditions have been determined in the warranty card, which constitutes an integral part of this user manual. The warranty card can be found on the last page of this document.

WARRANTY CARD

Warranty terms:

1. Manufacturer of medical device - LIW Care Technology Sp. z o.o. (ul. GOLFOWA 7, 94-406 ŁÓDŹ, Poland) ensures that the company sells an operative device, free from construction, installation, material defects, etc., and that the device will remain free from such defects during the warranty period. This warranty does not cover usefulness of the product for the Buyer purposes.
2. LIW Care Technology Sp. z o. o. (the manufacturer) grants a two-year warranty for the equipment, starting from the initial purchase date.
3. The only proof of warranty is this warranty card, issued by the Seller to the Buyer. To transfer warranty entitlements, you need to transfer the possession of this warranty card.
4. In case of finding any faults or defects during the warranty period - the manufacturer will remedy the defect at his own cost. If parts are replaced, the removed part shall become the property of the LIW Care Technology Sp. z o. o. and shall not be returned to the warranty user.
5. Under the warranty, the user is obliged to report physical product defect during the warranty period via a form on our website: www.liwcare.pl, following prior logging to the "customer zone" by post LIW Care Technology Sp. z o. o. or by phone: +48 42 212-35-18
6. Under the warranty, the user is obliged to deliver the equipment with warranty card and along with the original document of purchase (VAT invoice or receipt) at the expense of the manufacturer to his seat. when there is no receipt, the initial purchase date (the start of the warranty period) shall be the date of delivery.
7. The device sent to the service, should go with the clean upholstery, or, in the event of impossibility of washing it, the upholstery should be taken off. In the event of receiving dirty unit to the service, producer has the right to refuse carry out repairs.
8. This warranty does not cover:
 - waste elements and destroyed or damaged parts due to improper use (in particular, but not exclusively due to improper instructions issued or under unfavorable conditions), or improper storage of the product,
 - damage caused by any alterations or additions to the device made by the user or a third parties,
 - damage caused by improper cleaning or maintenance of the product made by the user or a third party,
 - damage caused by normal wear and tear or normal aging of the product,
 - damage caused by user's lack of negligence (particularly, but not exclusively, in maintenance and cleaning of the product),
 - damage caused by force majeure,
 - damage caused by external events (pollutions, mechanical and water damage).
9. The warranty does not include does not include regulation and adjustment during the warranty period, because they do not constitute a product defect.
10. In order to qualify for the above warranty, you need to deliver the product which is securely enclosed in packaging to the manufacturer. To do that, use the original packaging. If the user do not deliver the product in the original packaging, his replacement packaging must satisfy the following requirements: solid box with intact walls, separate protection for each component, cushioning material, strong tape used for wrapping, as well as sender address or receiver (LIW Care Technology Sp. z o. o.) address.
LIW Care Technology Sp. z o. o. shall not be held liable for product damage caused by insufficient packaging.
11. Warranty Repair or replacement will be made as far as possible within 30 days from the proper delivery of the product by the warranty user to LIW Care Technology Sp. z o. o
12. After warranty repair, the product will be delivered at the expense of LIW Care Technology Sp. z o. o., to the supplied address. In the event when a correctly addressed package is not collected, the warranty user is obliged to shall bear all costs related to the product transport and its storage.
13. Quality warranty granted by LIW Care Technology Sp. z o. o. does not affect any legal rights of the Buyer.

Thank you for choosing our product. We wish you success in therapy with our equipment.

NOTE!

**KEEP THE WARRANTY CARD IN A SAFE PLACE
LIW Care Technology Sp. z o. o. will require providing this document before accepting the warranty repair.**

Product name/TypeSerial number:.....

Sold-by date:.....

Stamp and signature of the Seller:

No.	Date of repair request	Procedures	Repair completion date	Stamp and signature of the technician